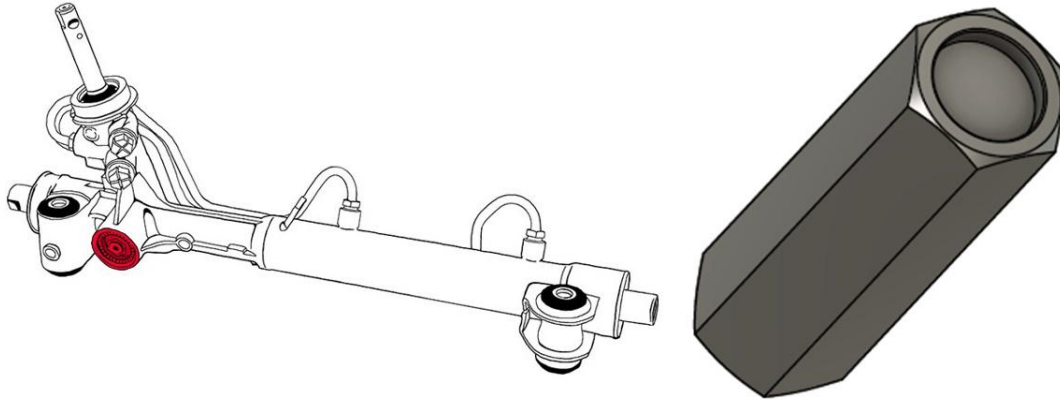




**Tool for adjusting the adjusting screw Part No. TLS20255**



**Application**

Lexus GS IV (2012-2015), Lexus IS II (2005-2012), Mitsubishi Lancer X (2007-2010), Mitsubishi Lancer X Restyling (9e) (2011-2017), Peugeot 5008 II (2018-)

**FITS THE FOLLOWING**

<b>Rack part number</b>	<b>Crossreferences</b>	<b>Application</b>
ATGE41701RB	TOYOTA 4420030740, 4420030B80	Lexus GS IV (2012-2015)
ATGE40851RB	TOYOTA 4420053100, 4420053151, 4420053150, 4420053310	Lexus IS II (2005-2012)
ATGE40421RB	TOYOTA 4420053080, 4420053131, 4420053130, 4420053290	Lexus IS II (2005-2012)
ATGJ41401RB	Mitsubishi 4410A567	Mitsubishi Lancer X (2007-2010) Lancer X Restyling (9e) (2011- 2017)
ATGE44351RB	Peugeot-Citroen 1635512080, 1648237080	Peugeot 5008 II (2018-)

More new products at <https://www.atg-components.com/warehouse-news>